

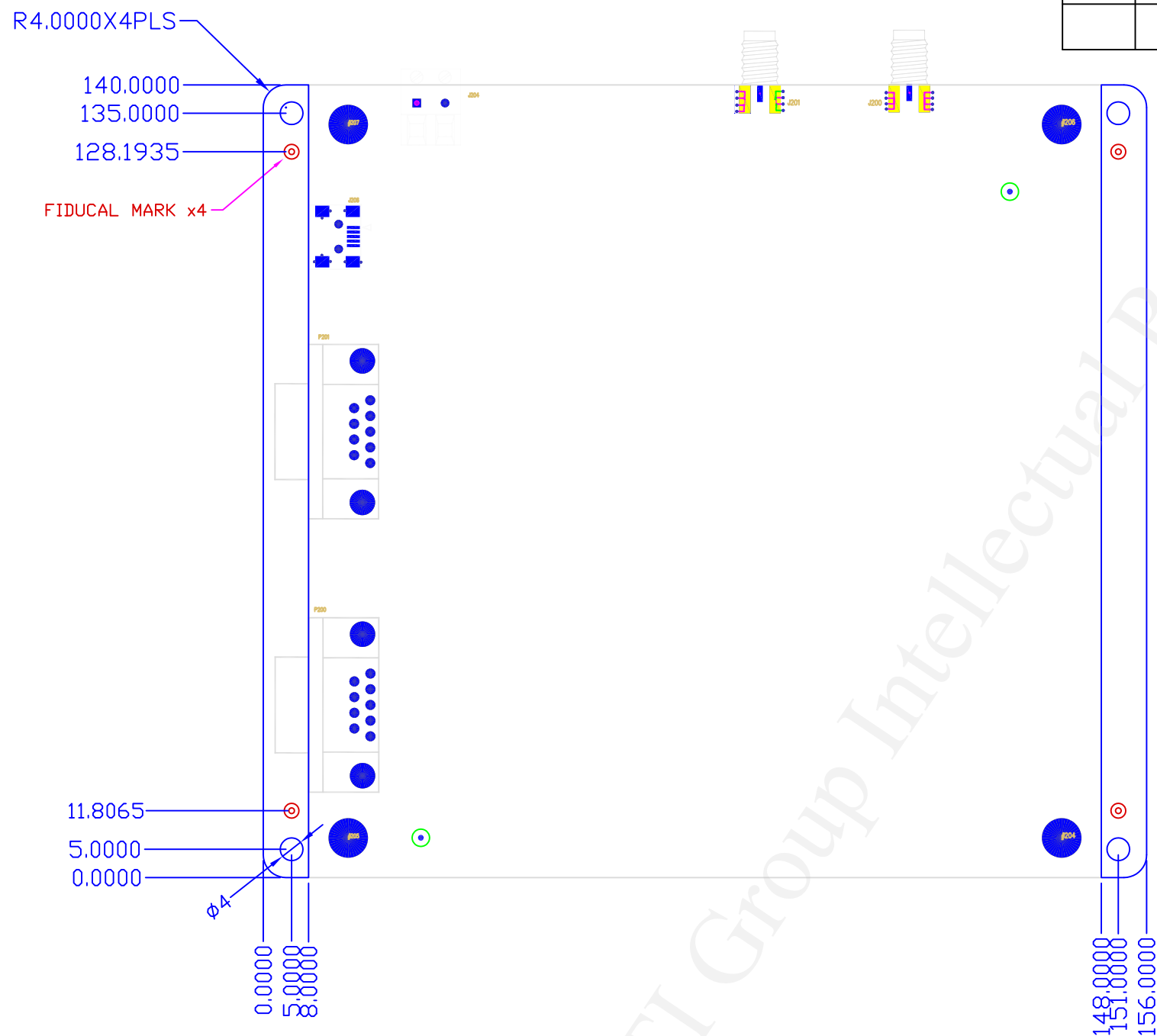
MTI Group Proprietary Information
 Any unauthorized use, duplication, reproduction, or disclosure
 of this document may be considered as infringement of MTI's
 Group's intellectual property rights, the infringer may be
 accused and liable for applicable legal penalties.

PART NUMBER BLOCK

PART NUMBER	REV
4010-2868	0.04

REVISIONS

REV	DESCRIPTION	DATE	APPROVED
A2	REVISED, CA-024674	11-23-2015	葉曜誠



ALL V-CUT

LAYER	STACK UP	Thickness
L1	Copper	1.4
	Prepreg	8.3
L2	Copper	1.25
	Core	36.5
L3	Copper	1.25
	Prepreg	8.3
L4	Copper	1.4

1. L1=14mil trace microstrip @50ohms(Ref L2)

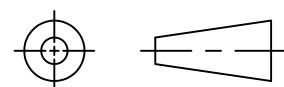
UNLESS OTHERWISE SPECIFIED ALL DIMENSIONS
 ARE IN mm AND TOLERANCES ARE:
 REFER TO MTI DOCUMENT NO: MTI-T0004-XX

MATERIAL: FR4(TG140)

FINISH: Immersion Gold 3~5u" NI >=100~150u"

PROCESS:

THIRD ANGLE PROJECTION



DRAWN	Victoria Chang	11-18-2015
ENGR	Dongyeh Chiang	11-18-2015
APVD	Peter Yeh	11-18-2015



MTI Group

CODE	DWG TITLE		
	PCB FR4 62mil 4L L*W=140*140mm RFID HP SIP TB		
SIZE	DWG NO.		REV
A4	4010-2868		A2
SCALE	1/1	SHEET	1 OF 9

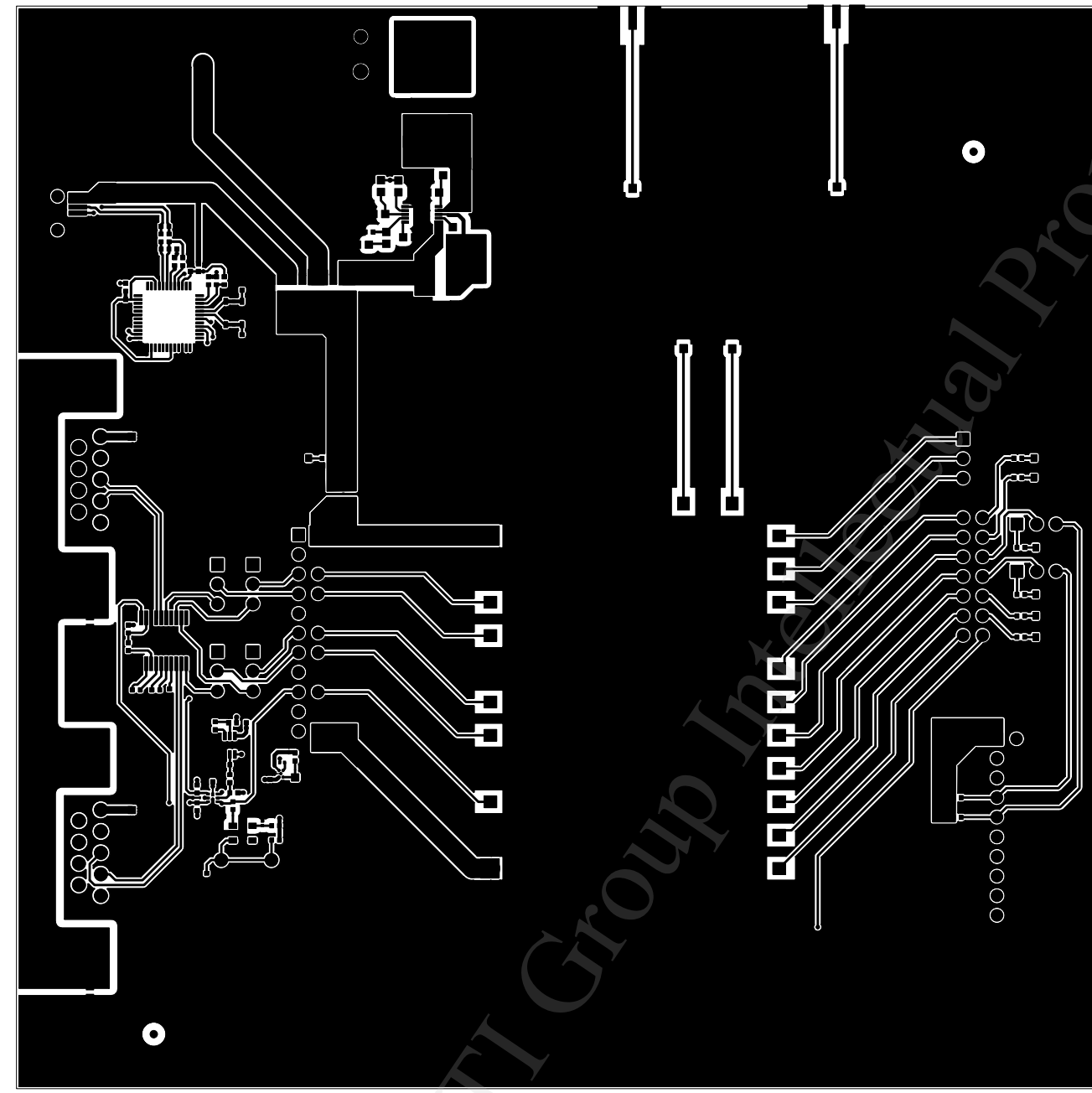
NEXT ASSY

USED ON


APPLICATION

RU00-M03-X03PS

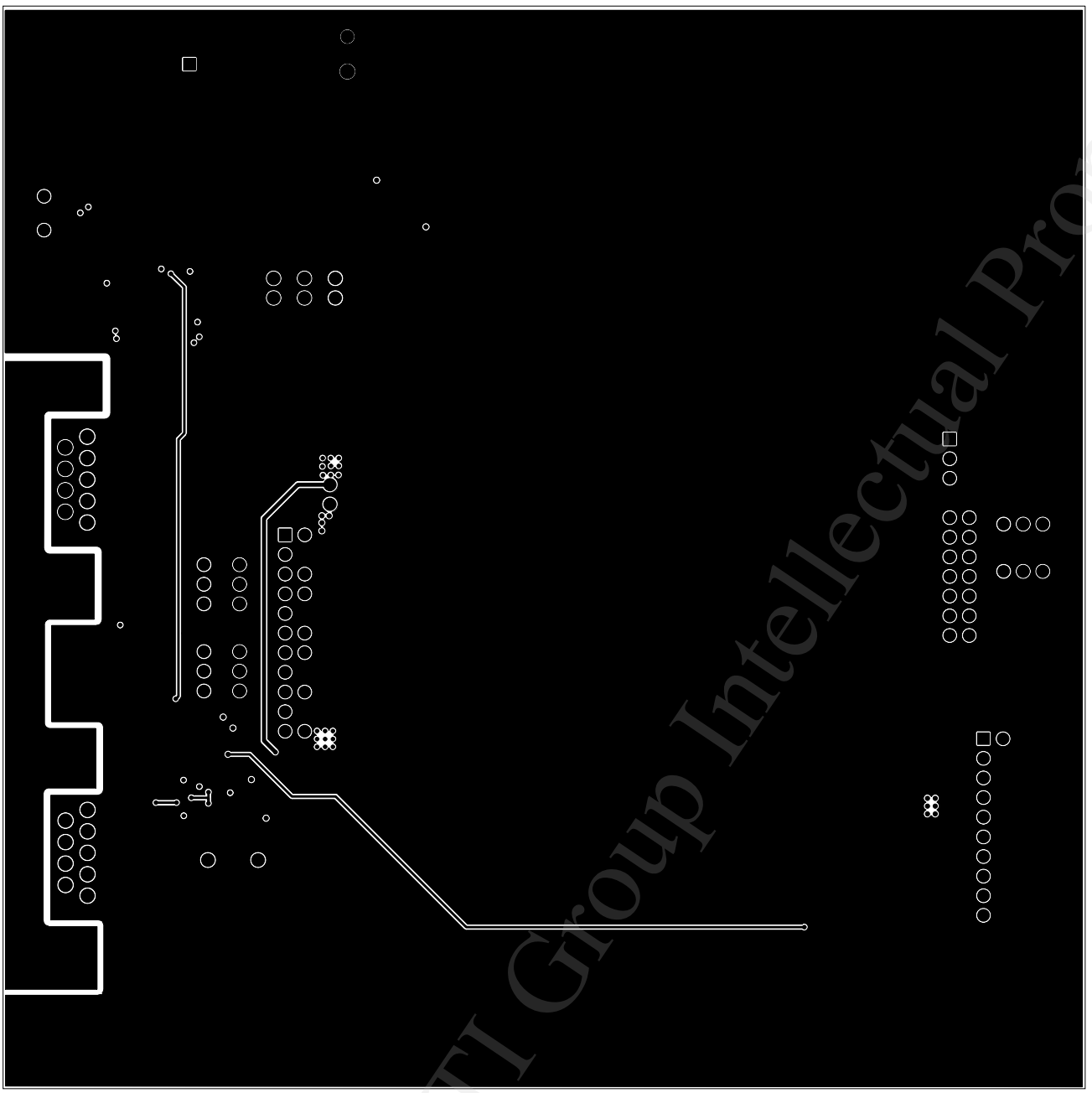
台揚集團智慧財產
 任何未經授權逕予複製、重製、公開或使用本文之行為，將被視為侵害
 台揚集團之智慧財產權，將可因此負擔法律責任。




MTI Group Intellectual Property

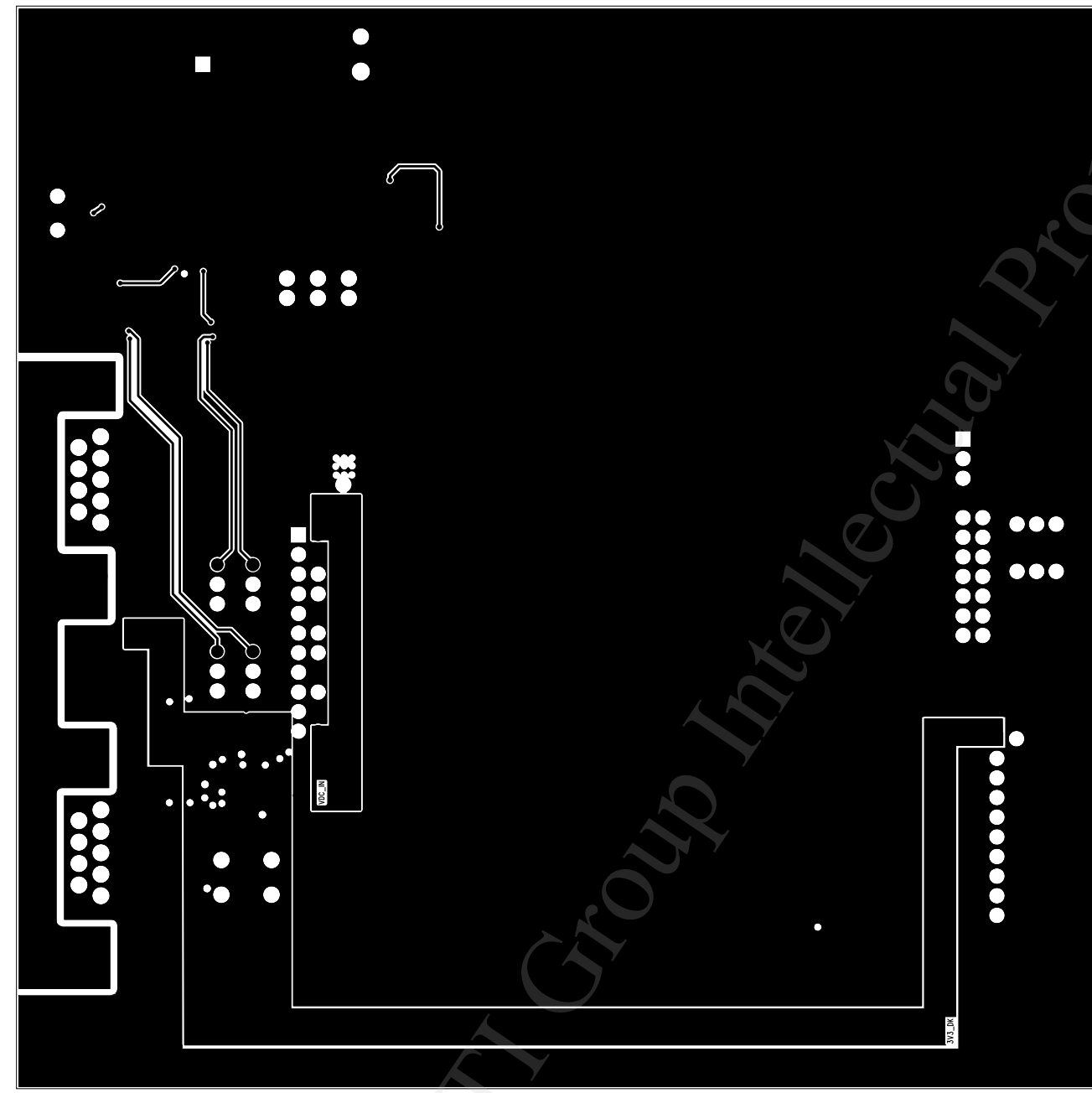
		MTI Group	
CODE	DWG TITLE PCB FR4 62mil 4L L*W=140*140mm RFID HP SIP TB	COMP SIDE TRACK	
SIZE A4	DWG NO. 4010-2868	REV A2	
SCALE	1/1	SHEET	2 OF 9


台揚集團智慧財產
 任何未經授權逕予複製、重製、公開或使用本文之行為，將被視為侵害
 台揚集團之智慧財產權，將可因此負擔法律責任。



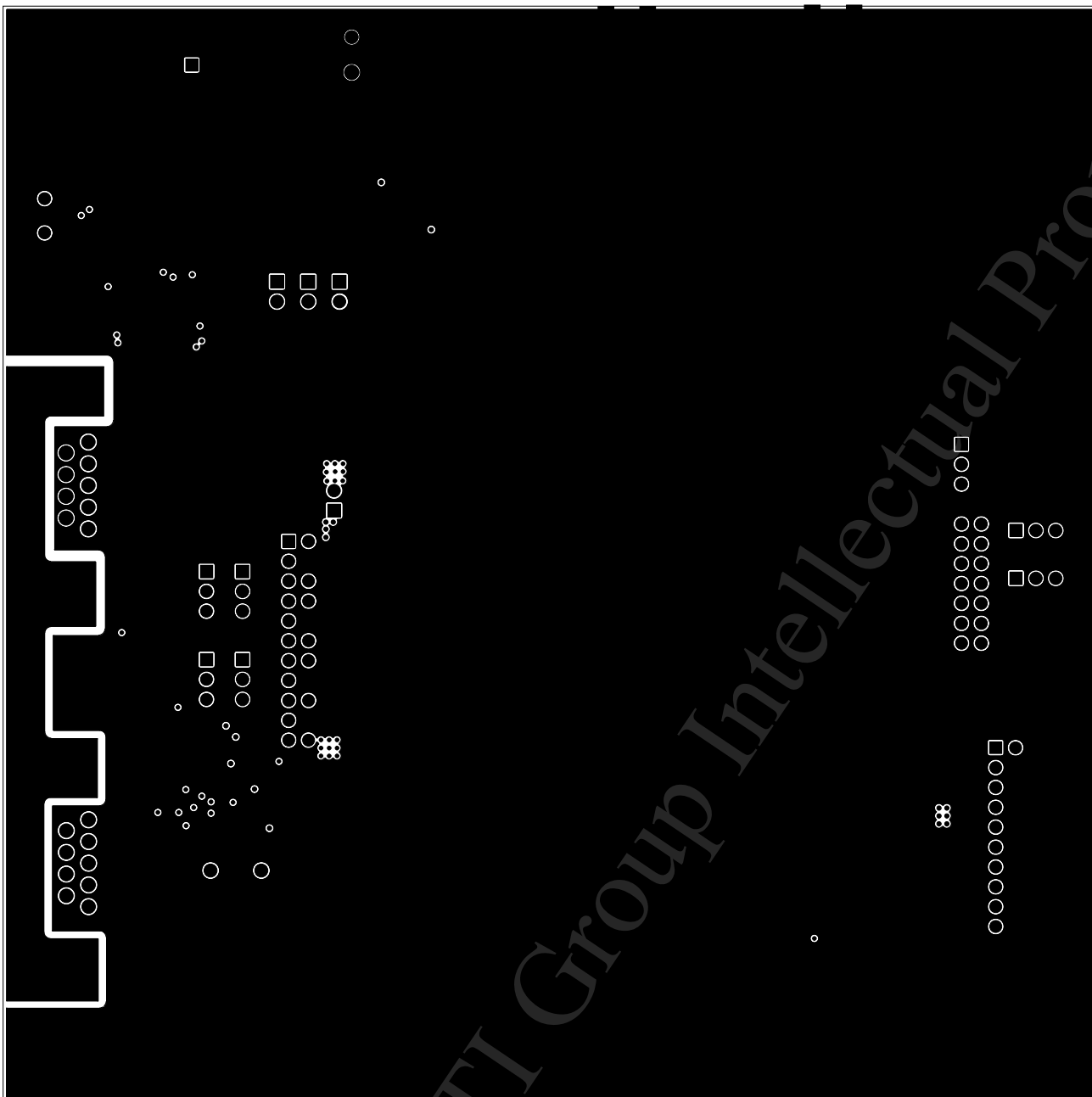
		MTI Group	
CODE	DWG TITLE	LAYER 2(GND)	
	PCB FR4 62mil 4L L*W=140*140mm RFID HP SIP TB		
SIZE	DWG NO.	REV	
A4	4010-2868	A2	
SCALE	1/1	SHEET	3 OF 9

台揚集團智慧財產
 任何未經授權逕予複製、重製、公開或使用本文之行為，將被視為侵害
 台揚集團之智慧財產權，將可因此負擔法律責任。



 MTI Group		
CODE	DWG TITLE PCB FR4 62mil 4L L*W=140*140mm RFID HP SIP TB	LAYER 3 (VCC)
SIZE A4	DWG NO. 4010-2868	REV A2
SCALE	1/1	SHEET 4 OF 9

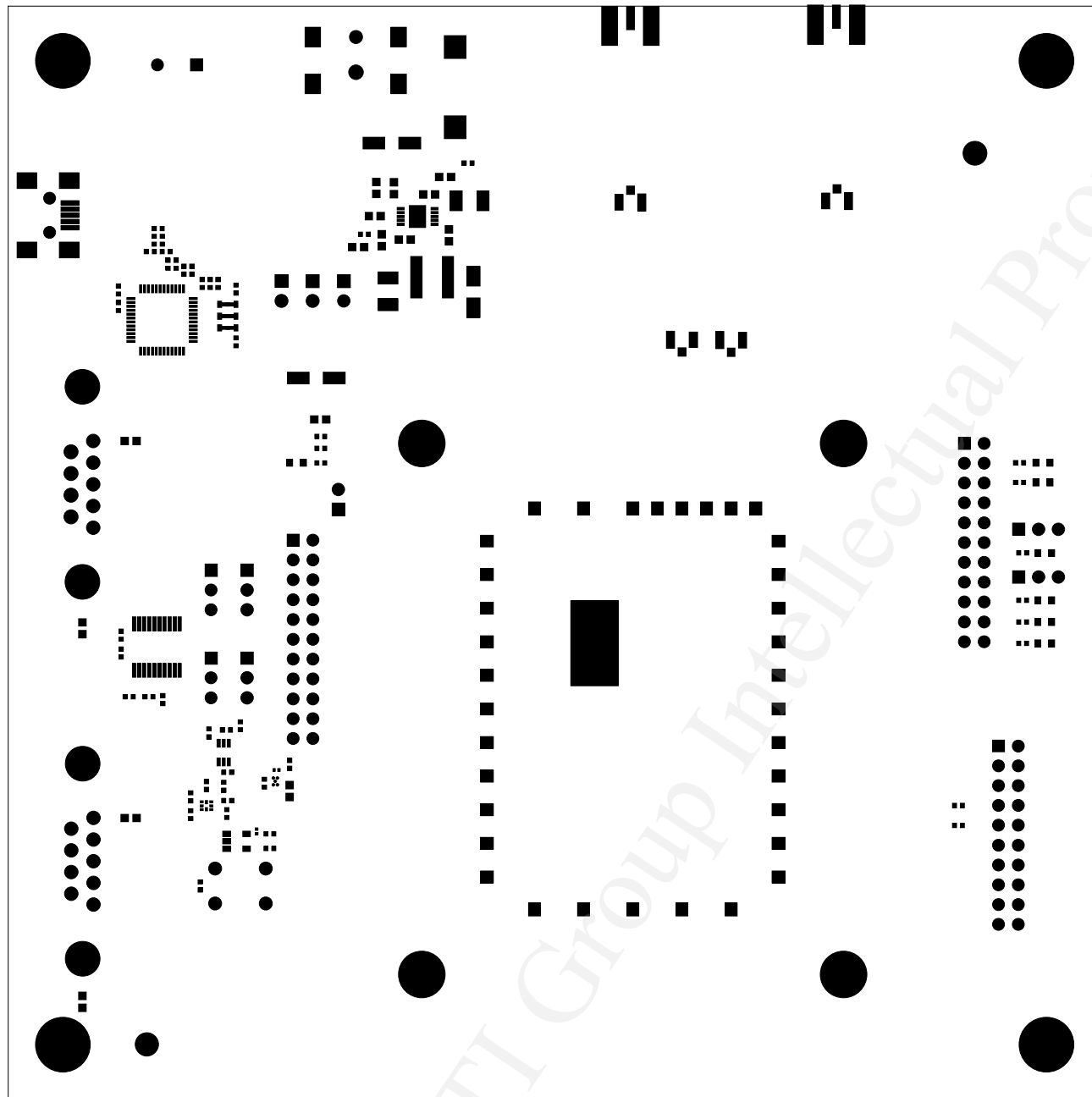
台揚集團智慧財產
任何未經授權逕予複製、重製、公開或使用本文之行為，將被視為侵害
台揚集團之智慧財產權，將可因此負擔法律責任。



MTI Group

CODE		DWG TITLE		SOLDER SIDE TRACK	
		PCB FR4 62mil 4L			
		L*W=140*140mm RFID HP SIP TB			
SIZE	DWG NO.			REV	
A4	4010-2868			A2	
SCALE	1/1	SHEET	5	OF	9

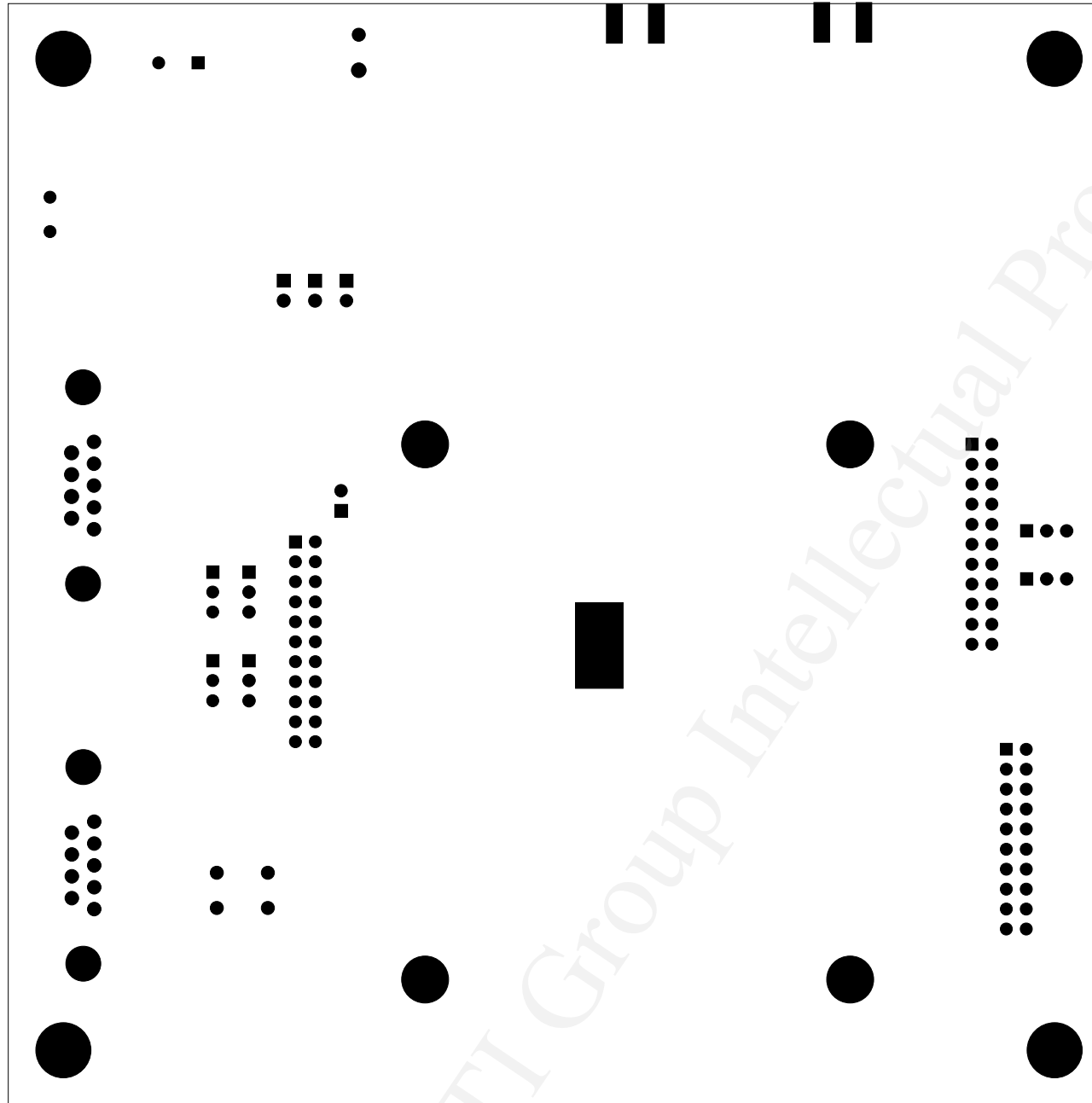
台揚集團智慧財產
 任何未經授權逕予複製、重製、公開或使用本文之行為，將被視為侵害
 台揚集團之智慧財產權，將可因此負擔法律責任。




MTI Group

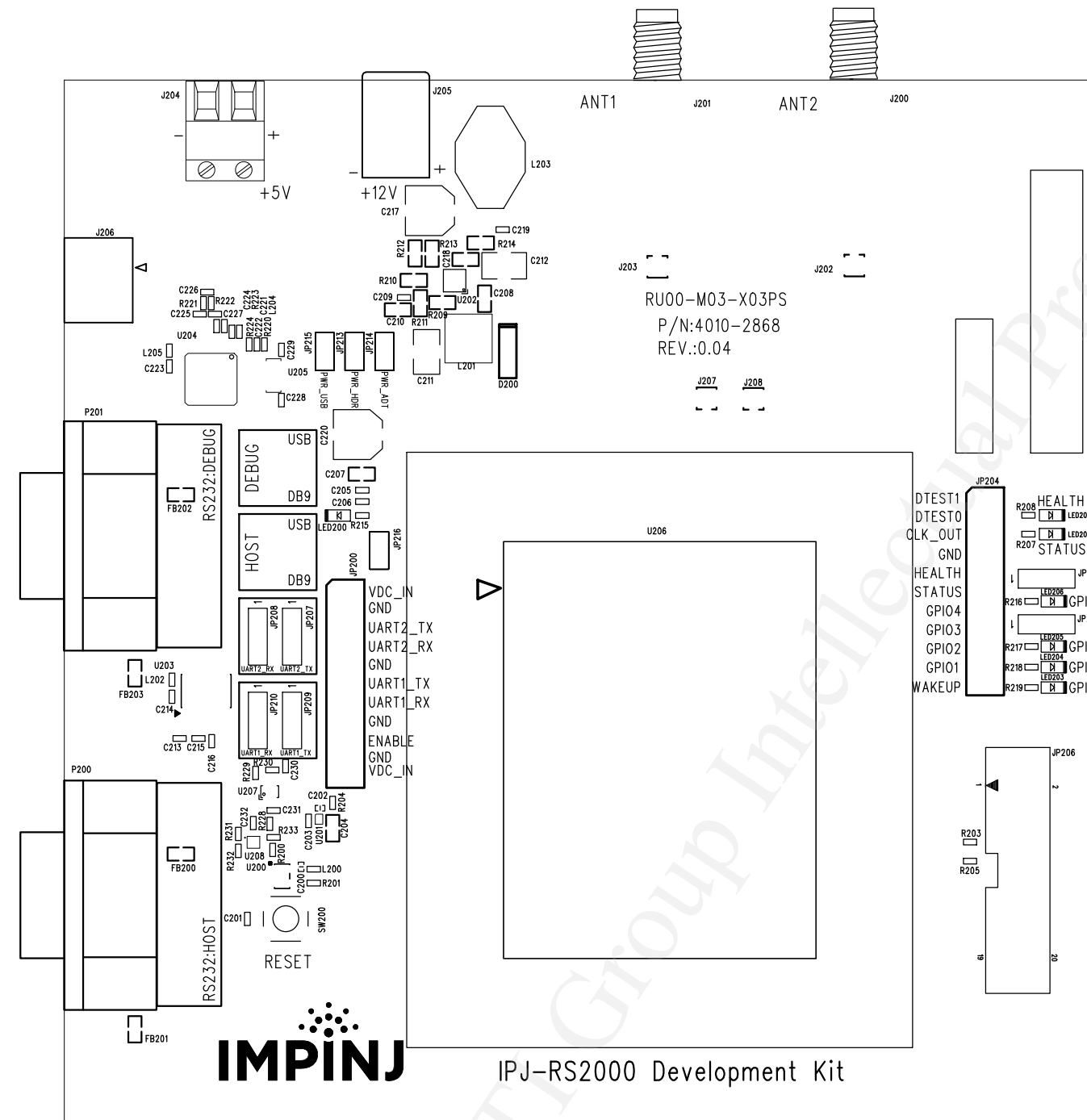
CODE	DWG TITLE	COMP SIDE MASK
	PCB FR4 62mil 4L L*W=140*140mm RFID HP SIP TB	
SIZE A4	DWG NO. 4010-2868	REV A2
SCALE 1/1	SHEET 6 OF 9	

台揚集團智慧財產
 任何未經授權逕予複製、重製、公開或使用本文之行為，將被視為侵害
 台揚集團之智慧財產權，將可因此負擔法律責任。



		MTI Group	
CODE	DWG TITLE	SOLDER SIDE MASK	
	PCB FR4 62mil 4L L*W=140*140mm RFID HP SIP TB		
SIZE	DWG NO.		REV
A4	4010-2868		A2
SCALE	1/1	SHEET	7 OF 9

台揚集團智慧財產
 任何未經授權逕予複製、重製、公開或使用本文之行為，將被視為侵害
 台揚集團之智慧財產權，將可因此負擔法律責任。



IPJ-RS2000 Development Kit

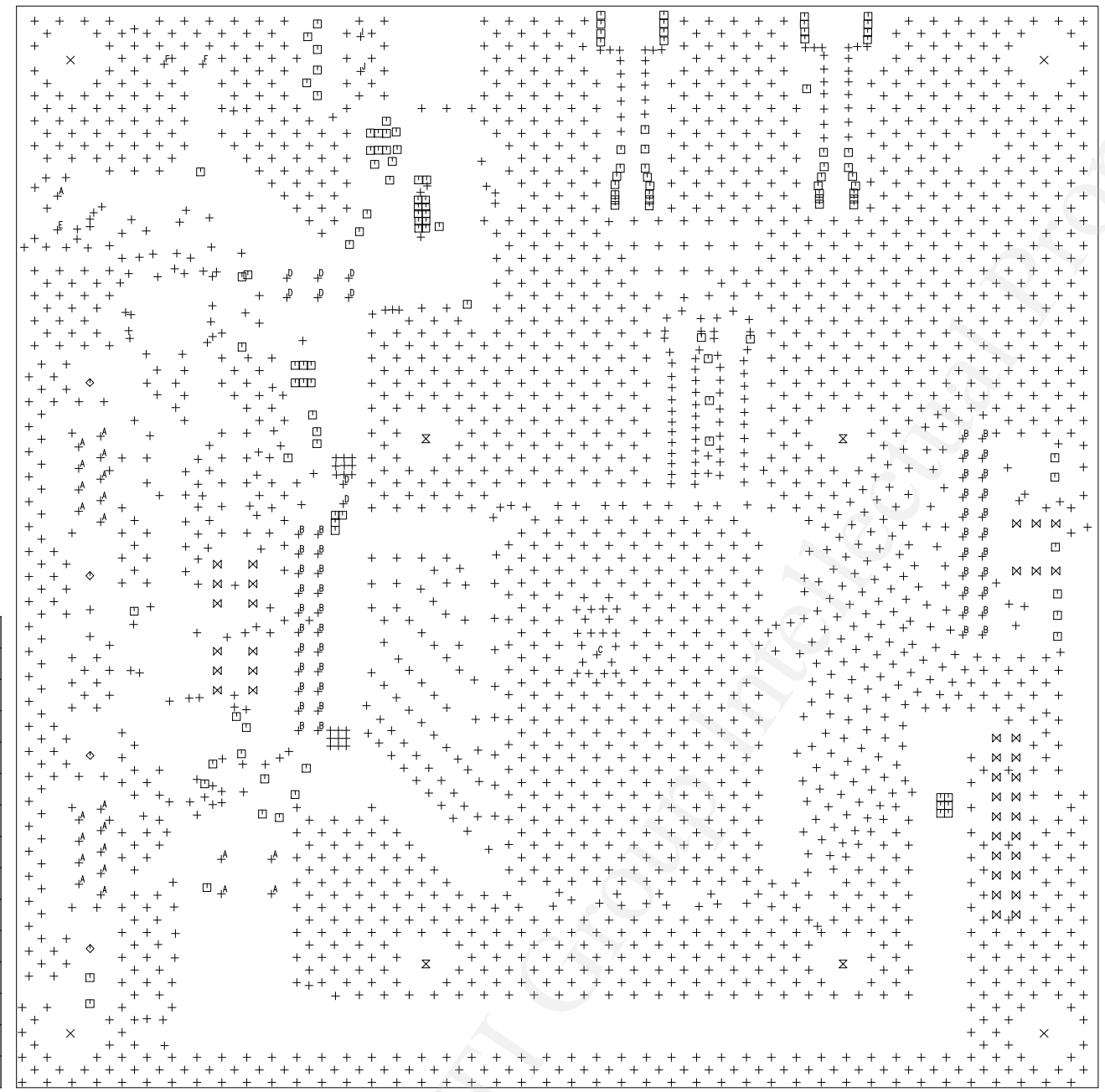


MTI Group


CODE	DWG TITLE	COMP SIDE SILK
	PCB FR4 62mil 4L L*W=140*140mm RFID HP SIP TB	
SIZE A4	DWG NO. 4010-2868	REV A2
SCALE 1/1	SHEET 8 OF 9	

台揚集團智慧財產
 任何未經授權逕予複製、重製、公開或使用本文之行為，將被視為侵害
 台揚集團之智慧財產權，將可因此負擔法律責任。

SIZE	QTY	SYM	PLATED	TOL
10	2467	+	YES	+/-3.0
137.8	4	X	YES	+/-3.0
12	130	□	YES	+/-3.0
120	4	◇	YES	+/-3.0
125.98	4	⊗	YES	+/-3.0
35.43	38	⊗	YES	+/-3.0
39.37	23	+ ^A	YES	+/-3.0
37	44	+ ^B	YES	+/-3.0
118.11	1	+ ^C	YES	+/-3.0
40.16	8	+ ^D	YES	+/-3.0
35	1	+ ^E	YES	+/-3.0
43.3	2	+ ^F	YES	+/-3.0
66.93	1	+ ^I	NO	+/-3.0
74.8	1	+ ^J	NO	+/-3.0



units:mil (Tolerance:+/-3mil)

		MTI Group	
CODE	DWG TITLE		DRILL
	PCB FR4 62mil 4L L*W=140*140mm RFID HP SIP TB		
SIZE	DWG NO.		REV
A4	4010-2868		A2
SCALE	1/1	SHEET	9 OF 9