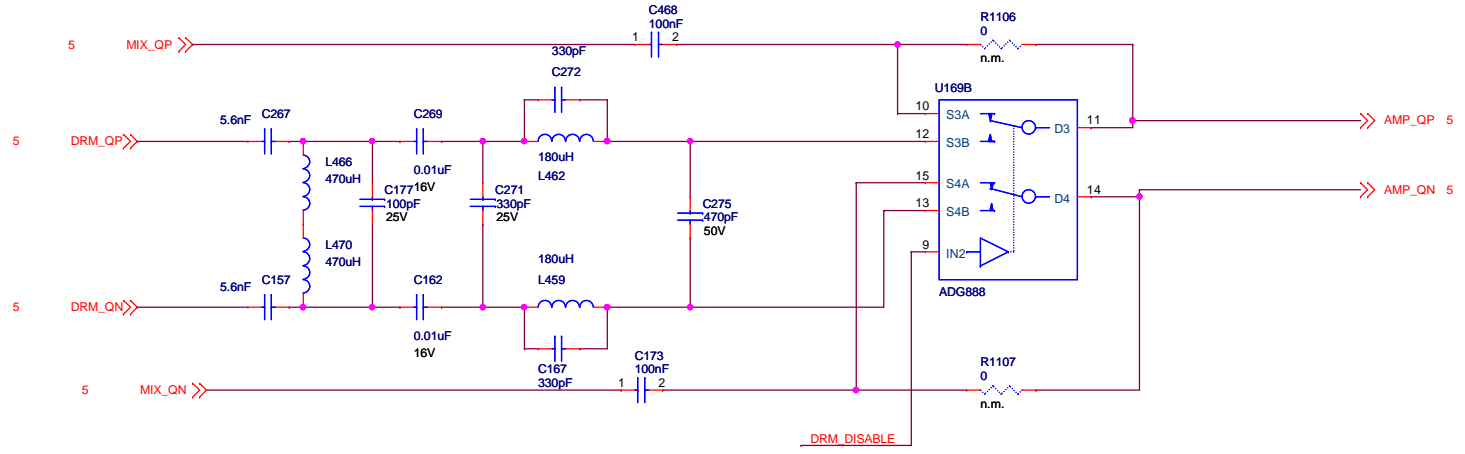
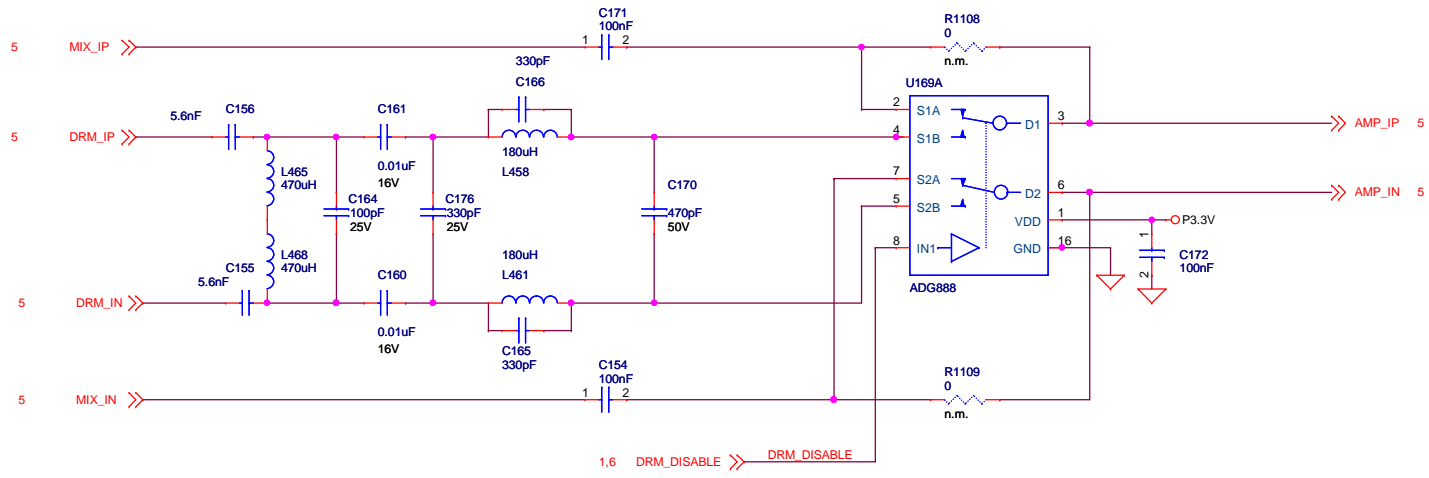
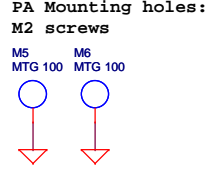
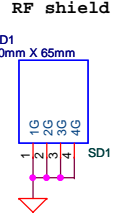
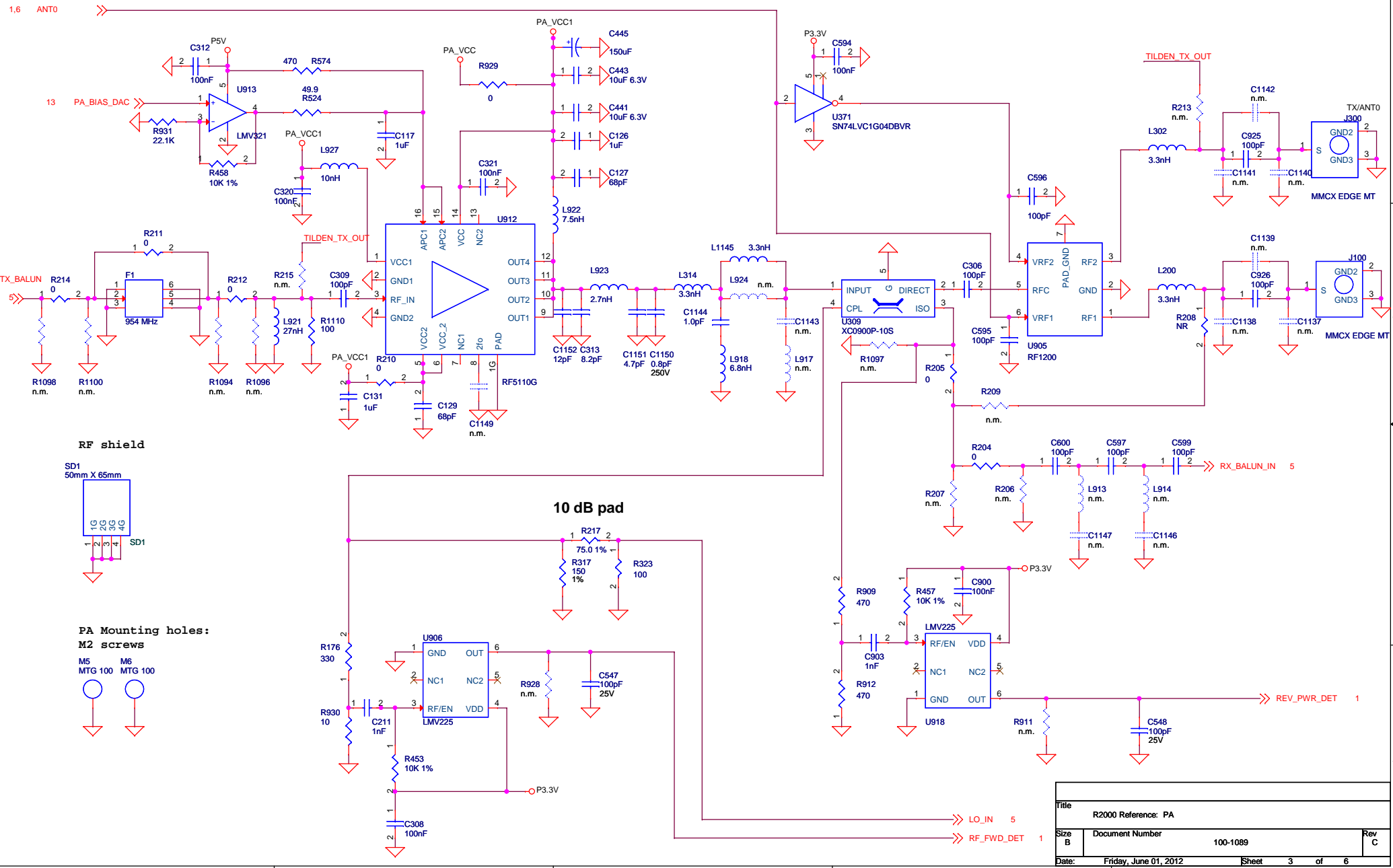


- FUTURE1 6
- FUTURE2 6
- DTEST0 5,6
- DTEST1 5,6
- ANT0 3,6
- ANT1 6
- TCXO_EN 5,7
- nRST_ARM7 6
- INDY_RESET 5,6
- UART_RTS 6
- UART_TXD 6
- DBG_TX 6
- GPIO0 6
- GPIO1 6
- GPIO2 6
- GPIO3 6
- nPWREN_PA 3,6
- nPWREN_RF 3,6
- nPWREN_INDY 4
- DRM_DISABLE 2,6
- LED0 6
- LED1 6
- LED2 6

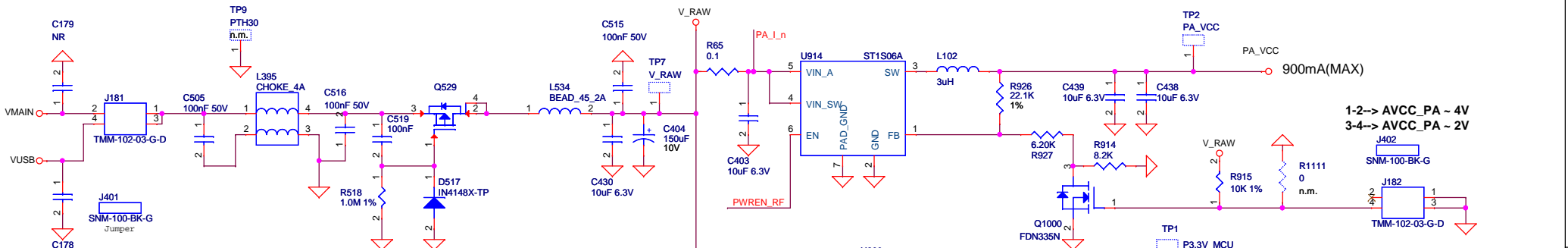
Title		
R2000 Reference: Atmel		
Size B	Document Number	Rev C
	IPJ-E3002: 100-1089	
Date:	Friday, June 01, 2012	Sheet 1 of 6



Title		
R2000 Reference: DRM Filter		
Size B	Document Number	Rev C
	100-1089	
Date:	Friday, June 01, 2012	Sheet 2 of 6

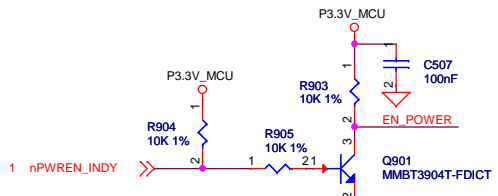
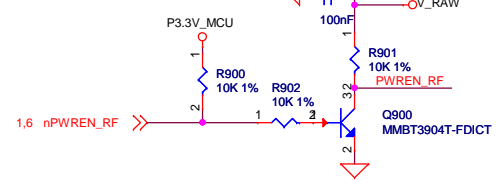
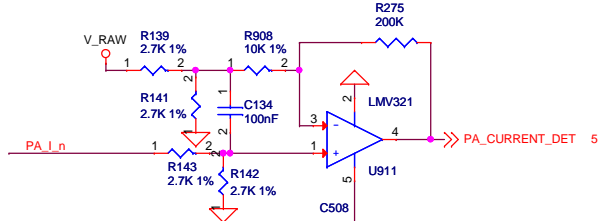


Title		R2000 Reference: PA	
Size	B	Document Number	100-1089
Date:	Friday, June 01, 2012	Sheet	3 of 6
Rev	C		

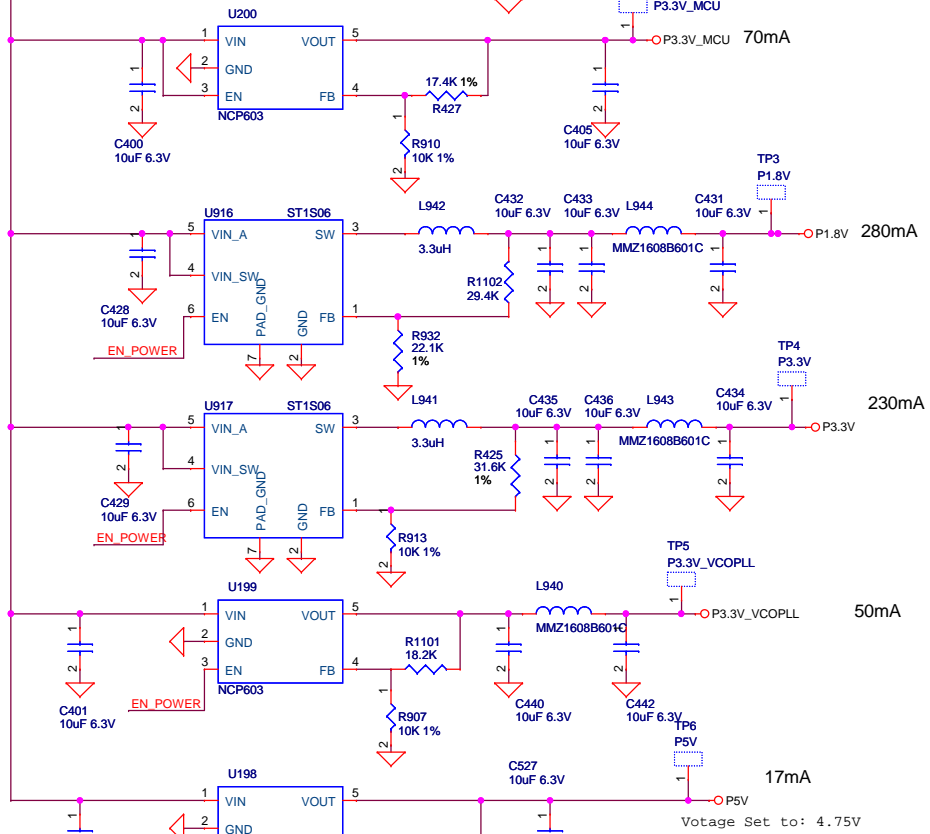
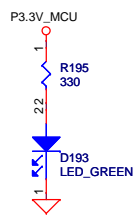
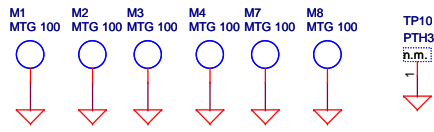


1-2-> 5V PROVIDED BY MEZZANINE PCB
 3-4-> 5V PROVIDED BY USB HOST

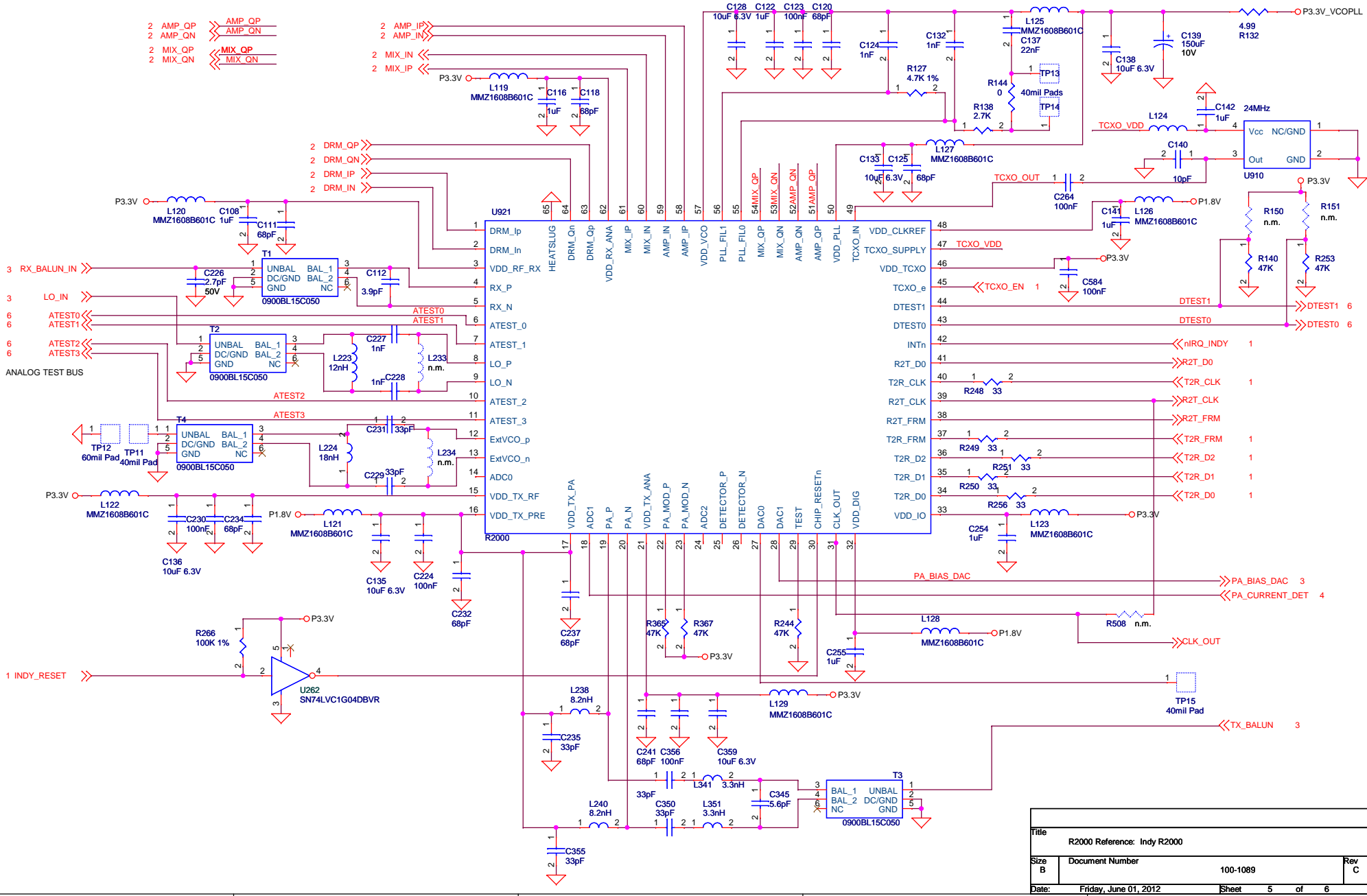
1-2-> AVCC_PA ~ 4V
 3-4-> AVCC_PA ~ 2V



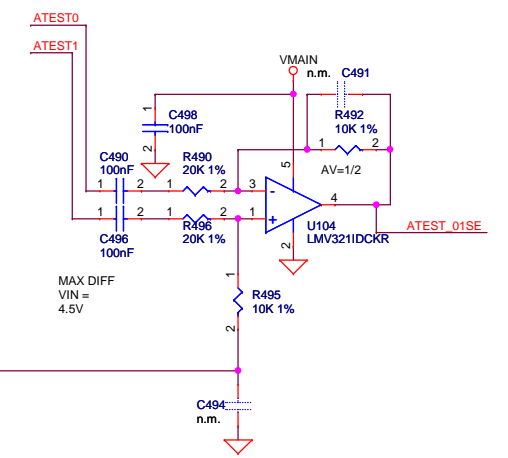
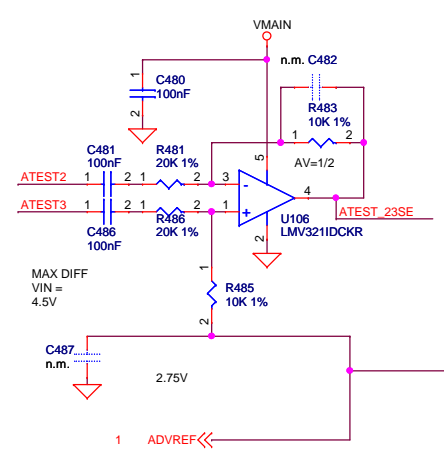
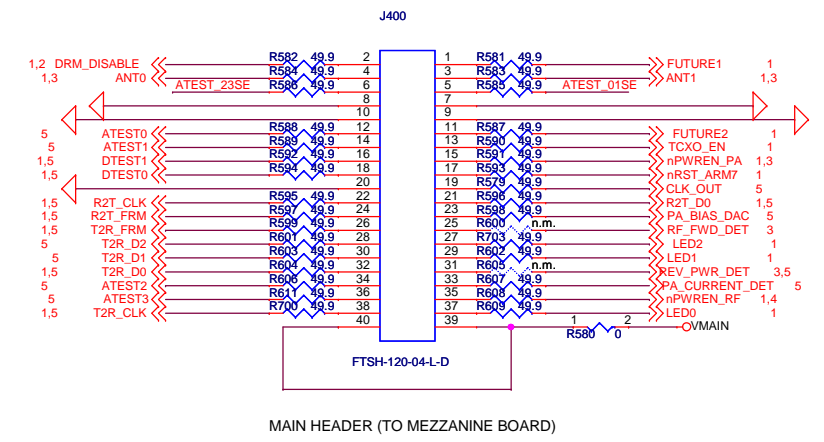
Mounting holes: M2.5 screws



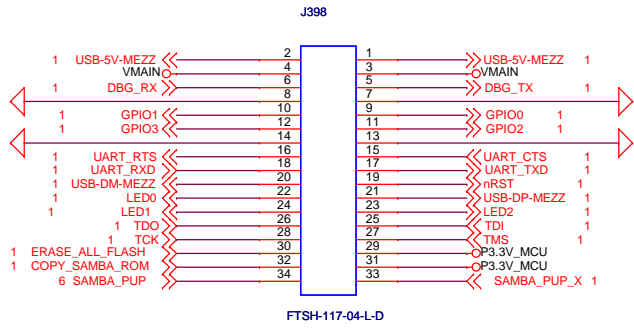
Title		
R2000 Reference: Power Supply		
Size B	Document Number	Rev C
	100-1089	
Date:	Friday, June 01, 2012	Sheet 4 of 6



Title		R2000 Reference: Indy R2000	
Size B	Document Number	100-1089	Rev C
Date:	Friday, June 01, 2012	Sheet	5 of 6



COMM HEADER (TO MEZZANINE BOARD)



Title		
R2000 Reference: Interface		
Size B	Document Number	Rev C
	100-1089	
Date:	Friday, June 01, 2012	Sheet 6 of 6