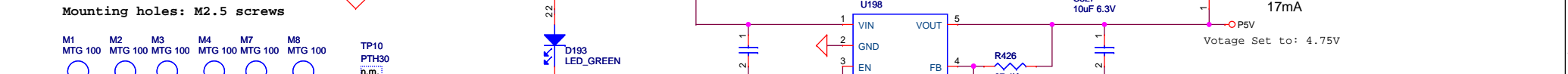
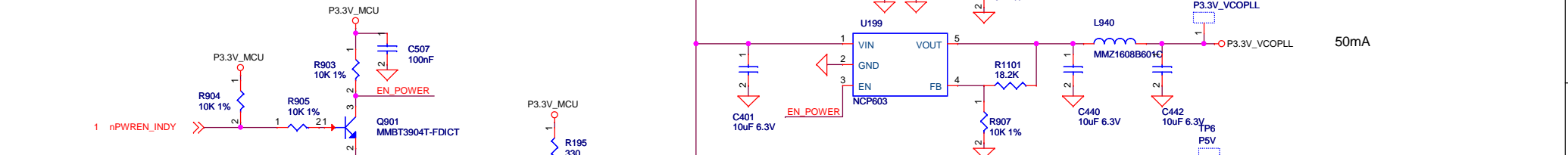
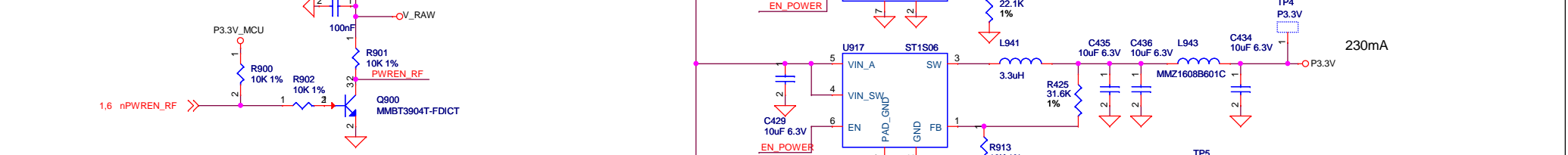
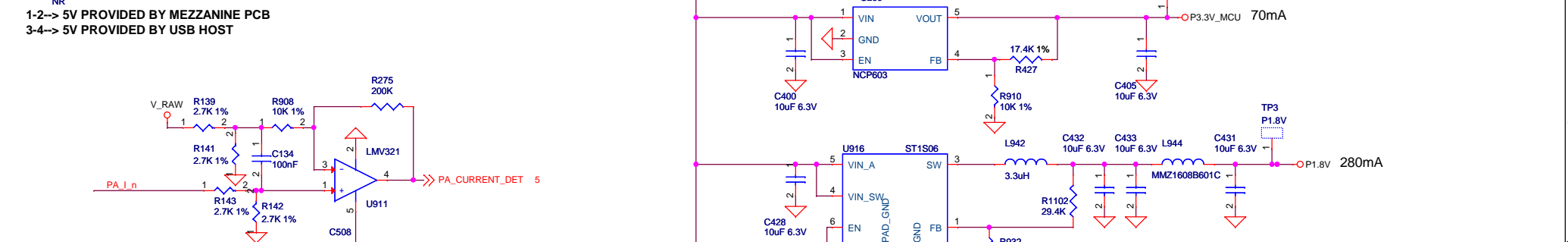
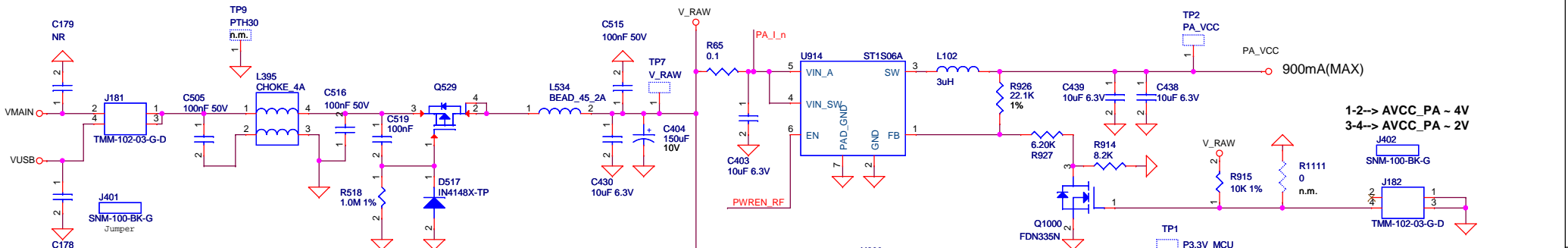
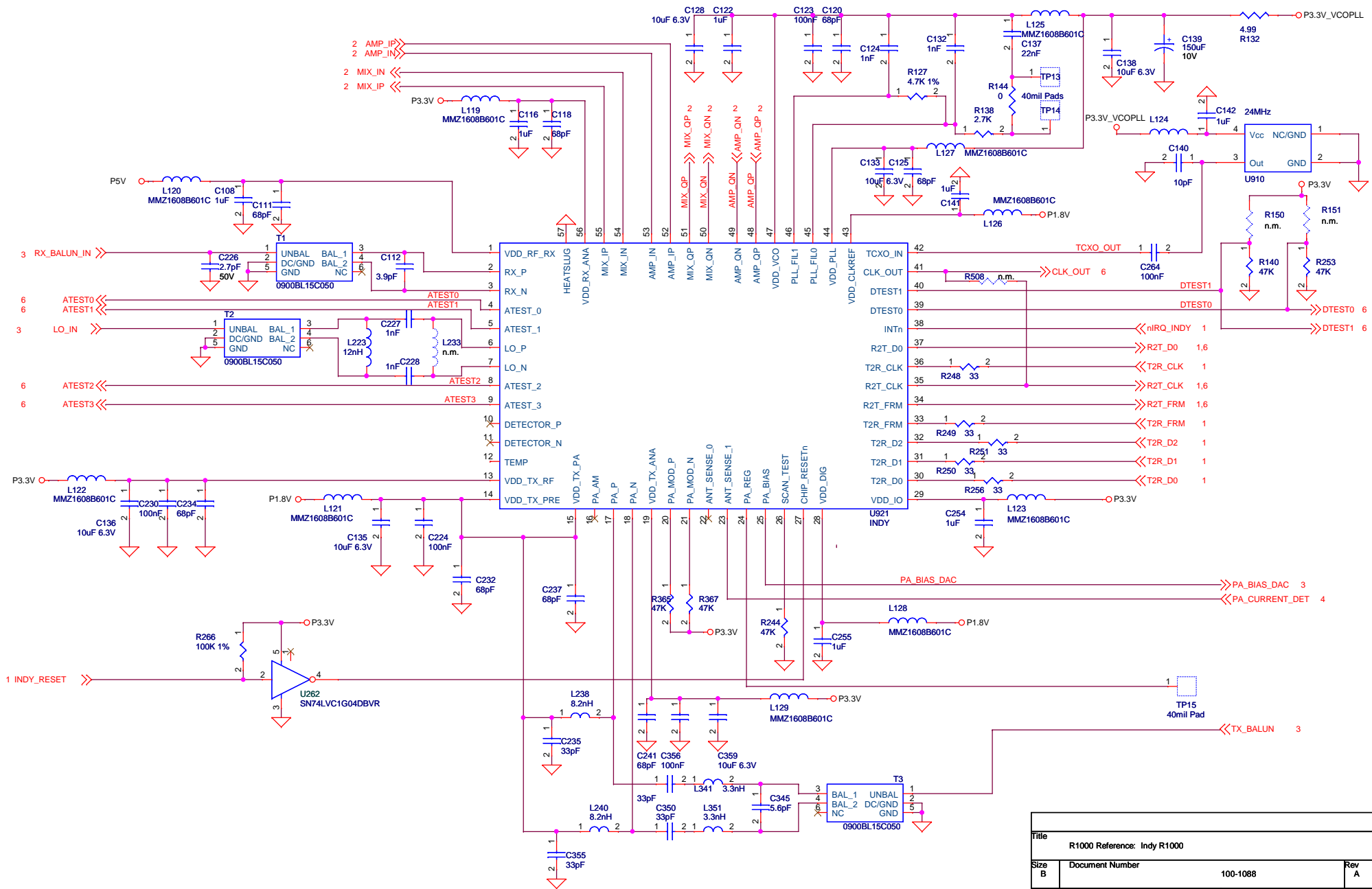


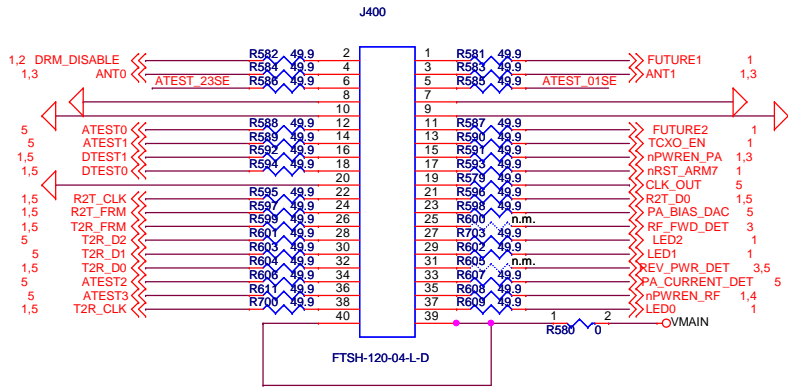
Title		
R1000 Reference: DRM Filter		
Size B	Document Number	Rev A
	100-1088	
Date:	Friday, June 01, 2012	Sheet 2 of 6



Title		
R1000 Reference: Power Supply		
Size B	Document Number	Rev A
	100-1088	
Date:	Friday, June 01, 2012	Sheet 4 of 6



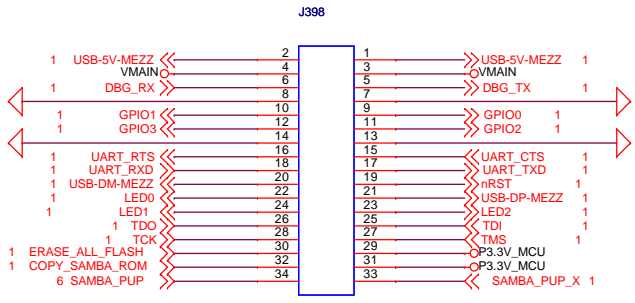
Title			
R1000 Reference: Indy R1000			
Size	Document Number	100-1088	Rev
B			A
Date:	Friday, June 01, 2012	Sheet	5 of 6



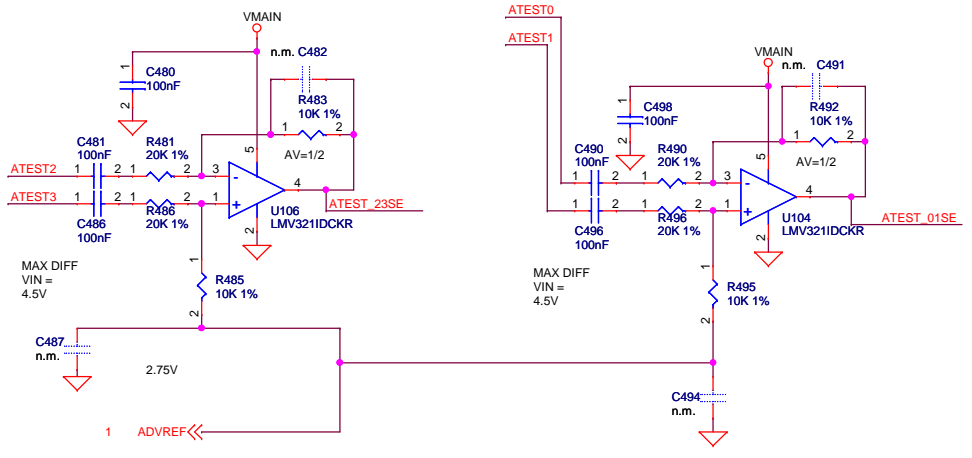
FTSH-120-04-L-D

MAIN HEADER (TO MEZZANINE BOARD)

COMM HEADER (TO MEZZANINE BOARD)



FTSH-117-04-L-D



Title		
R1000 Reference: Interface		
Size B	Document Number	Rev A
	100-1088	
Date:	Friday, June 01, 2012	Sheet 6 of 6