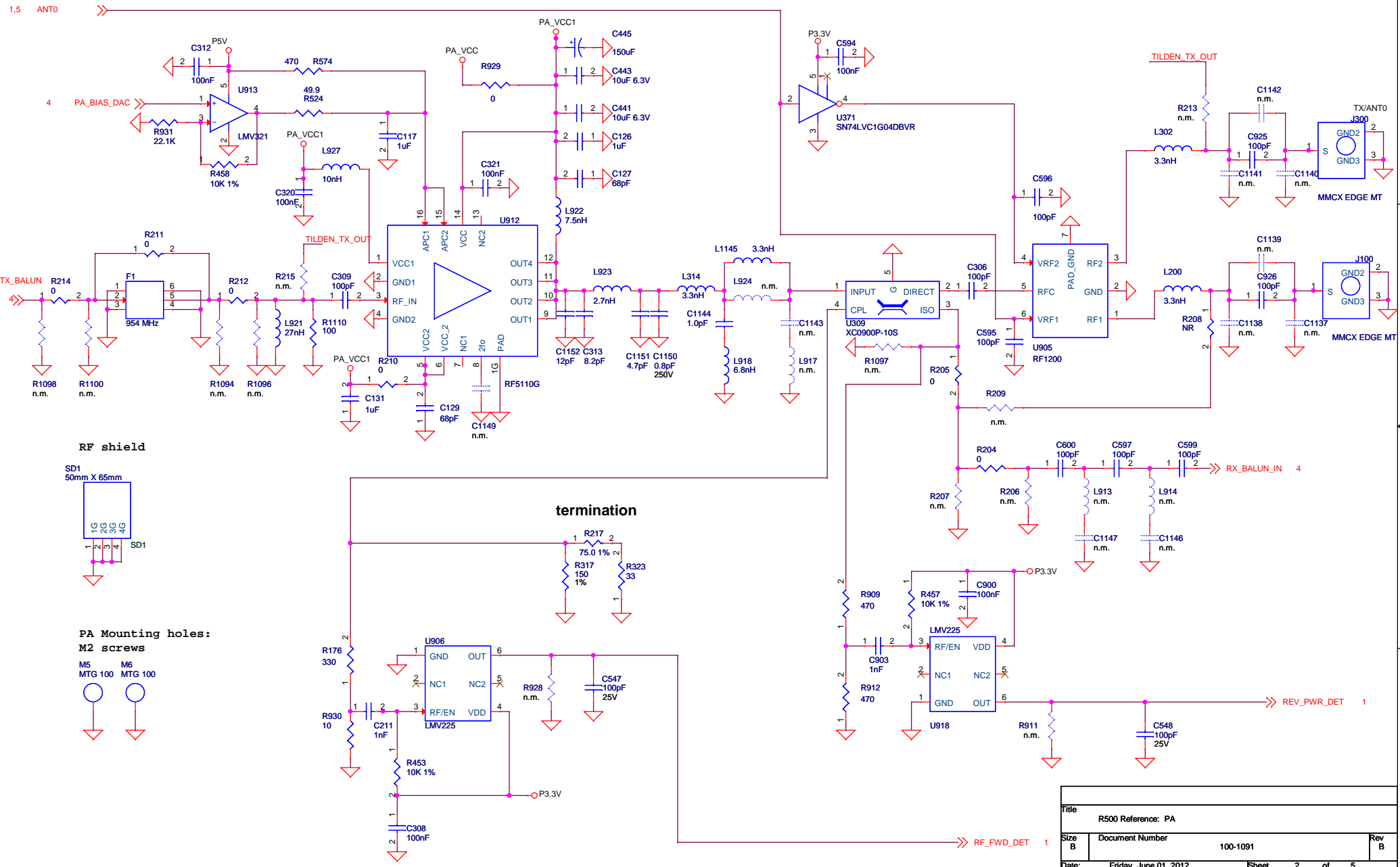


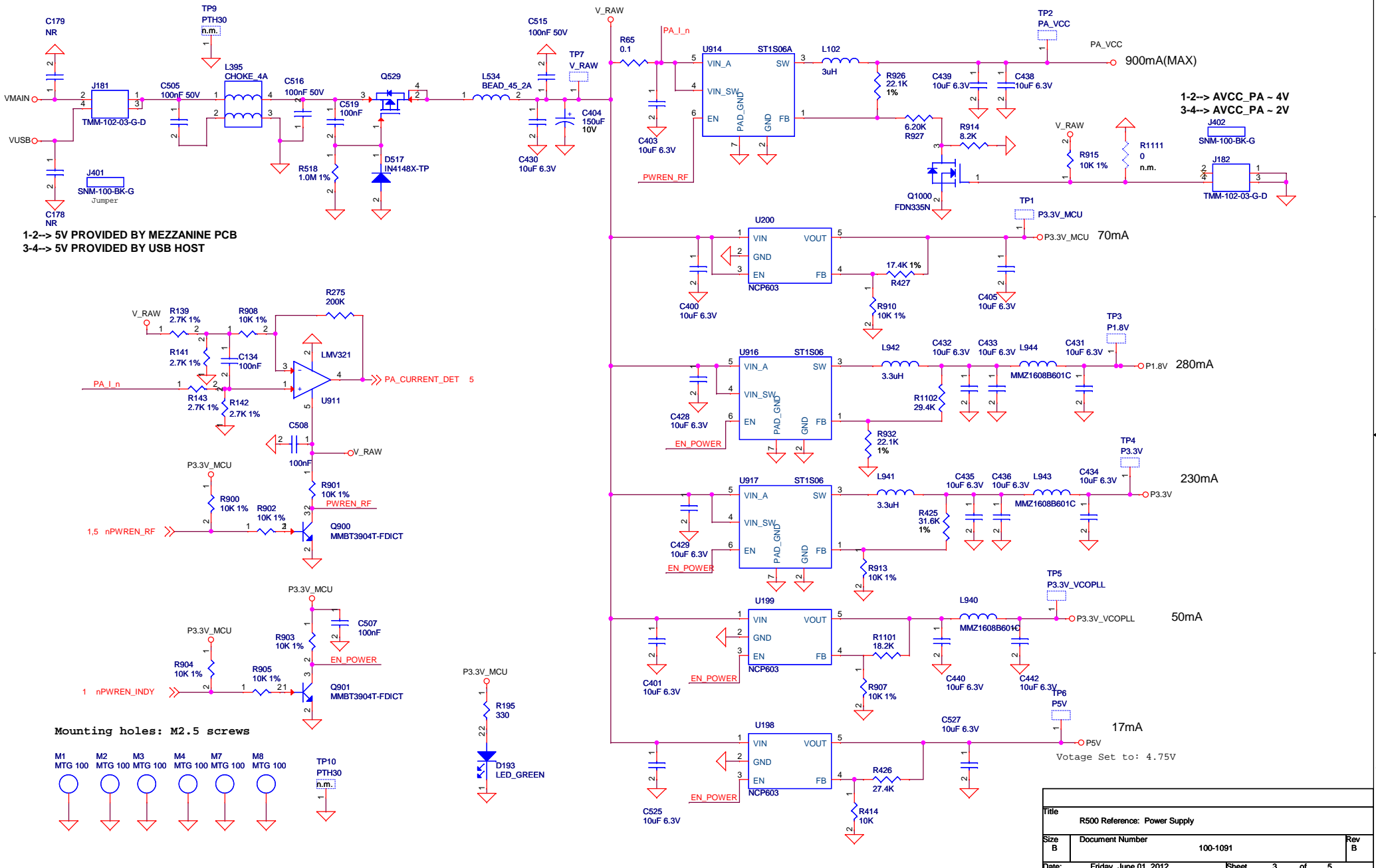
- FUTURE1 5
- FUTURE2 5
- DTEST0 4,5
- DTEST1 4,5
- ANT0 2,5
- ANT1 5
- TCXO\_EN 4,5
- nRST\_ARM7 5
- INDY\_RESET 4,5
- UART\_RTS 5
- UART\_TXD 5
- DBG\_TX 5
- GPIO0 5
- GPIO1 5
- GPIO2 5
- GPIO3 5
- nPWREN\_PA 2,5
- nPWREN\_RF 2,5
- nPWREN\_INDY 4
- DRM\_DISABLE 5
- LED0 5
- LED1 5
- LED2 5

FUTURE1	2	R279	0.1
FUTURE2	2	R278	0.1
ANT0	36	R278	0.1
ANT1	34	R278	0.1
nPWREN_INDY	32		
INDY_RESET	31		
DBG_RX	30		
DBG_TX	29		
GPIO2	28		
GPIO3	27		
SAMBA_VBUS_DET	22		
nPWREN_PA	21		
R2T_FRM	1	R276	0
R2T_CLK	1	R276	0
R2T_D0	1	R276	0
T2R_D0	1	R276	0

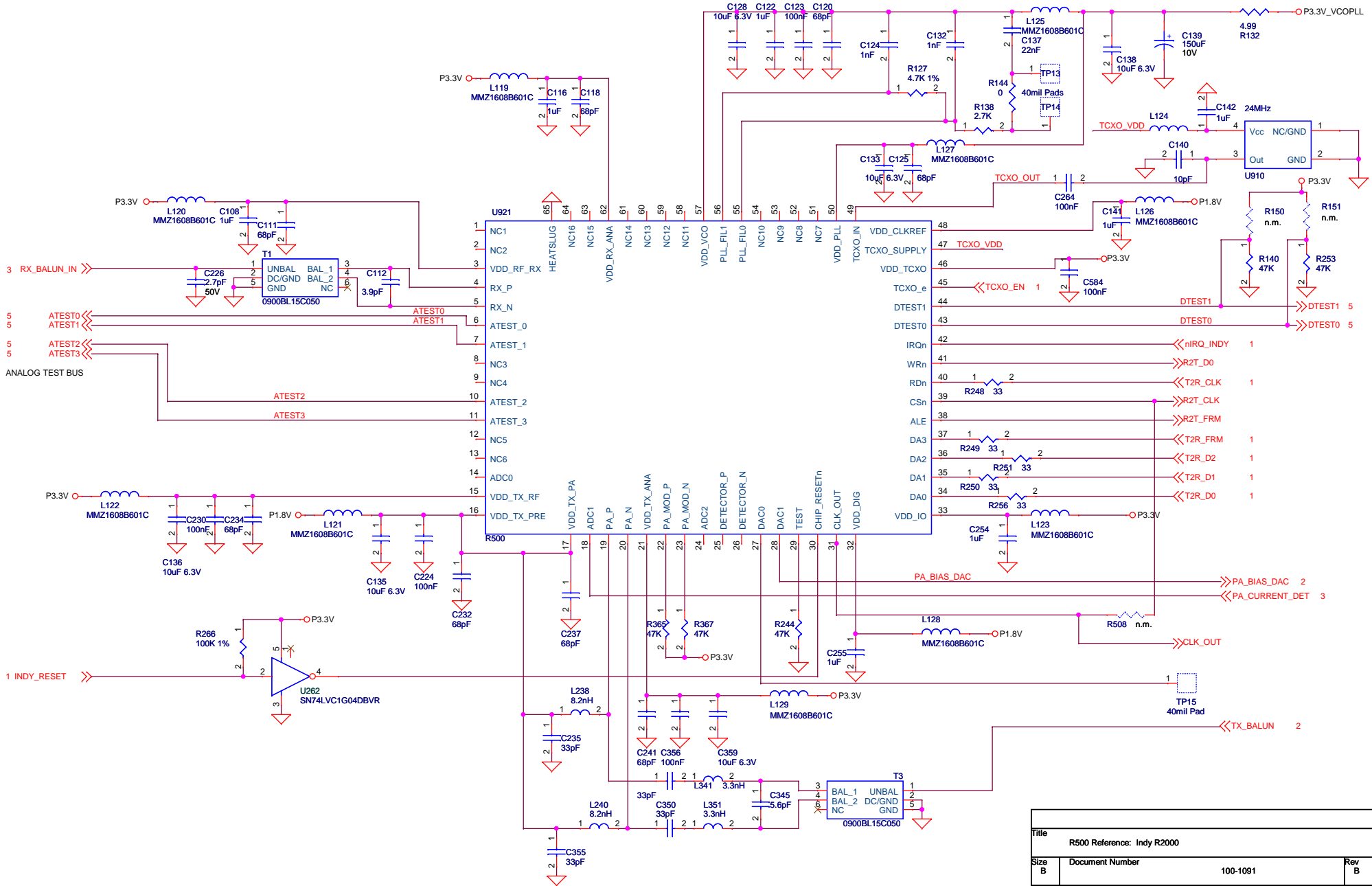
Title			
R500 Reference: Atmel			
Size B	Document Number	IPJ-E3003: 100-1091	Rev B
Date:	Friday, June 01, 2012	Sheet	1 of 5



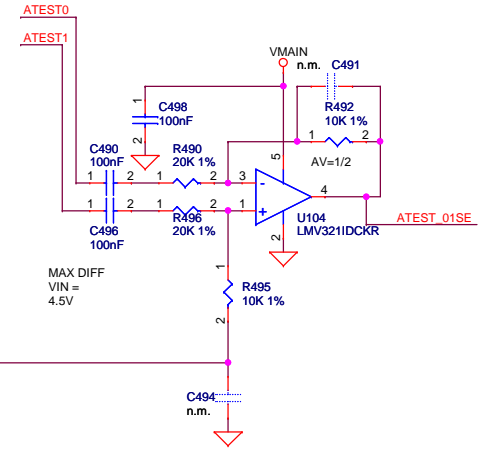
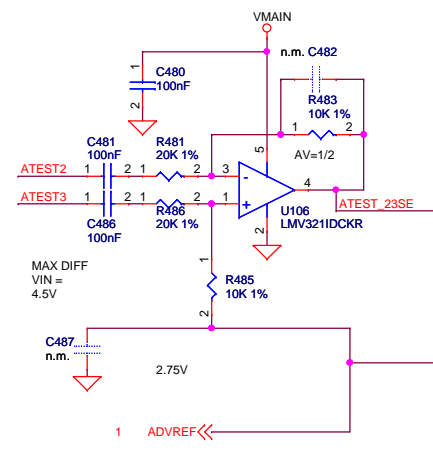
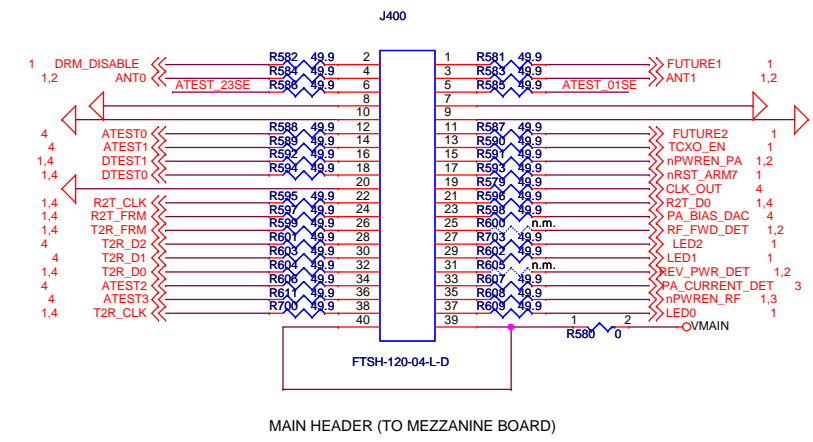
Title		
R500 Reference: PA		
Size B	Document Number	Rev B
	100-1091	
Date:	Friday, June 01, 2012	Sheet 2 of 5



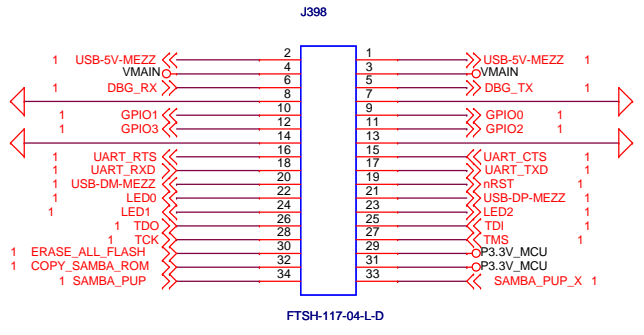
Title		
R500 Reference: Power Supply		
Size B	Document Number	Rev B
	100-1091	
Date:	Friday, June 01, 2012	Sheet 3 of 5



Title			
R500 Reference: Indy R2000			
Size B	Document Number	100-1091	Rev B
Date:	Friday, June 01, 2012	Sheet 4 of 5	



**COMM HEADER (TO MEZZANINE BOARD)**



Title		R500 Reference: Interface	
Size B	Document Number	100-1091	Rev B
Date:	Friday, June 01, 2012	Sheet	5 of 5