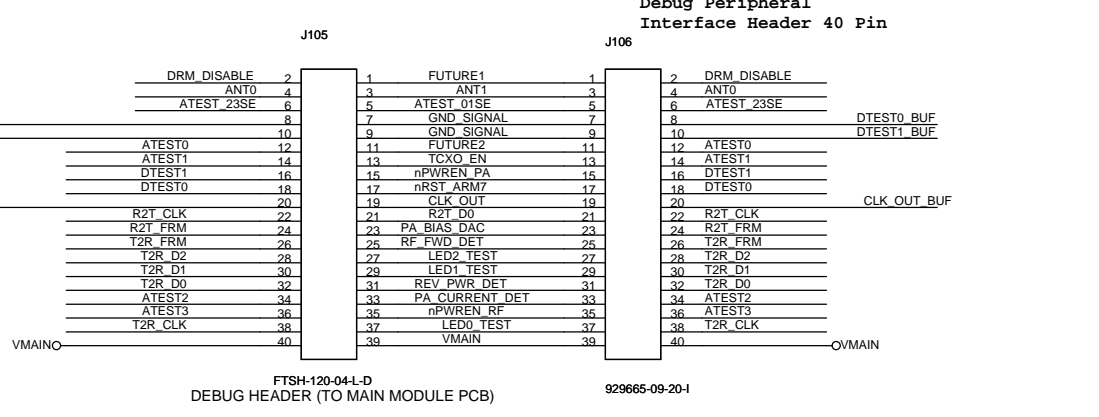
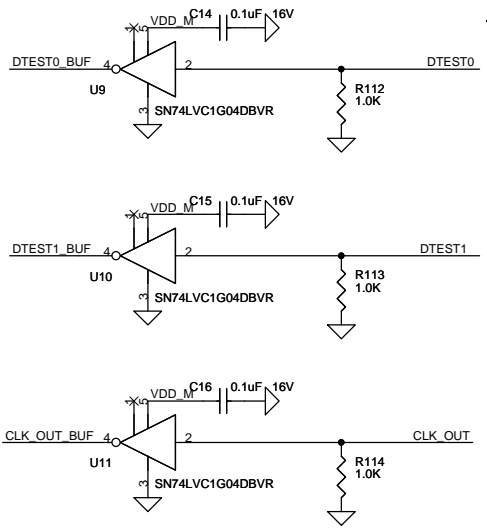
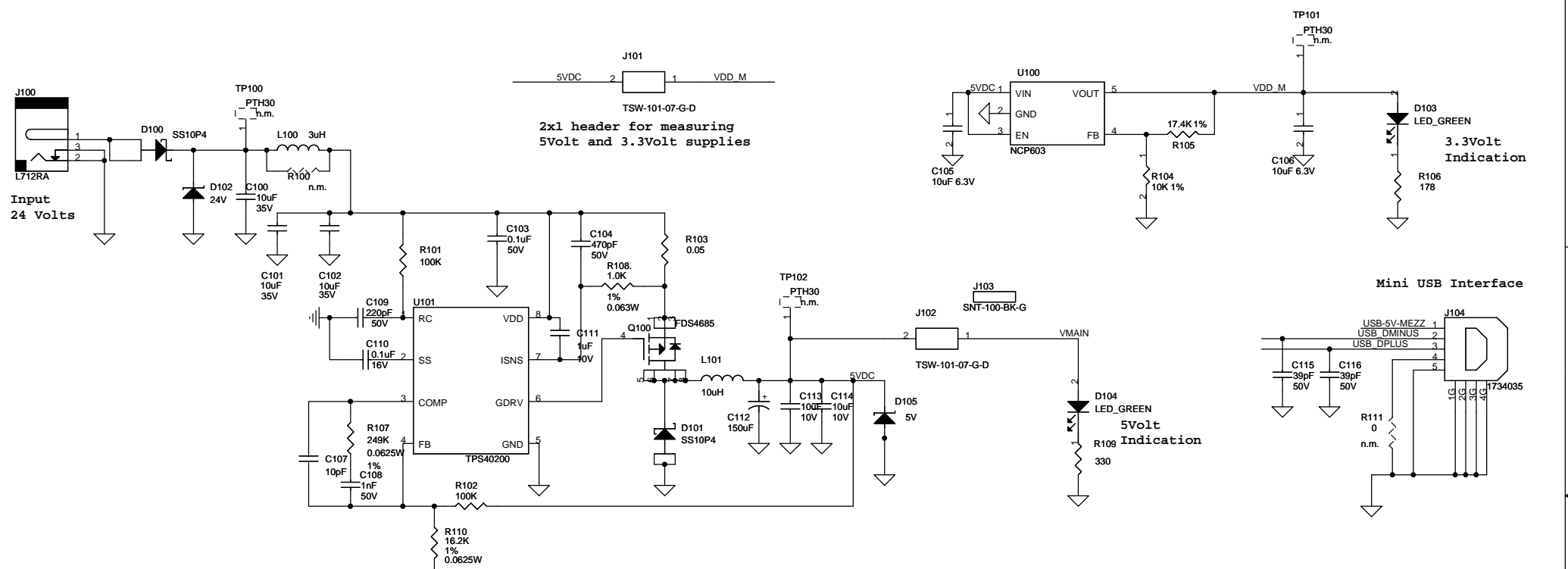


Title		
INTERFACE PCB - Communications		
Size B	Document Number 100-1090	Rev B
Date: Thursday, September 02, 2010	Sheet 1	of 2



FTSH-120-04-L-D
DEBUG HEADER (TO MAIN MODULE PCB)

929665-09-20-1

Title		
INTERFACE PCB - Power Supply/USB Interface		
Size B	Document Number 100-1090	Rev B
Date:	Thursday, September 02, 2010	Sheet 2 of 2