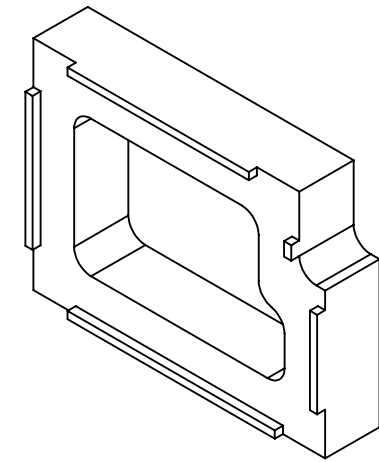
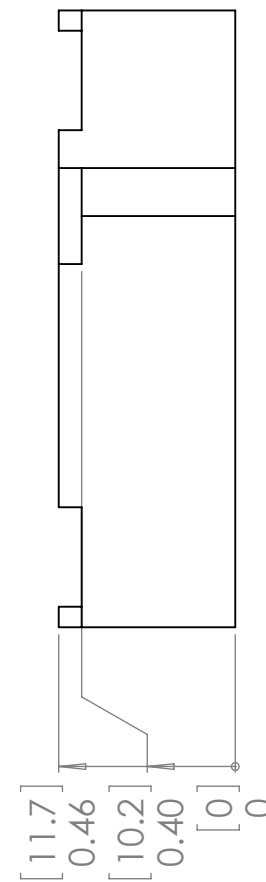
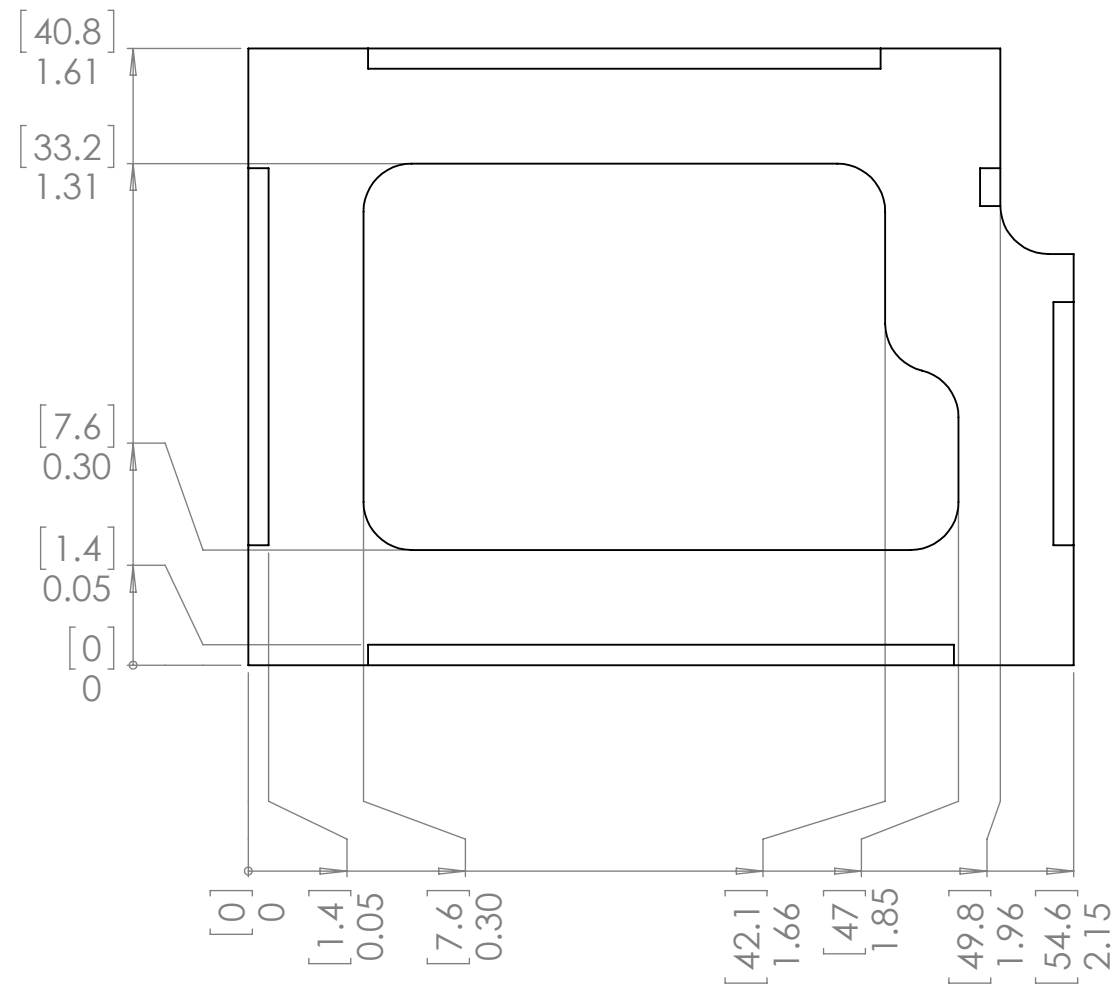


NOTES:

- FOR DIMENSIONS NOT SHOWN USE CAD MODEL
- MATERIAL: ALUMINUM 6061
- REMOVE BURRS AND SHARP EDGES

REVISIONS				
ZONE	REV.	DESCRIPTION	DATE	APPROVED
	1.00	INITIAL RELEASE	10/28/2015	



ALL COMPONENTS AND MATERIALS TO BE ROHS COMPLIANT
 DIMENSIONS: IN [MM]
 TOLERANCES UNLESS OTHERWISE SPECIFIED:
 X = ± 0.04"
 X.X = ± 0.02"
 X.XX = ± 0.01"
 X.XXX = ± 0.005"
 HOLE = ± 0.003"
 ANGULAR: MACH ± 0.5°
 BEND ± 1.0°

PROPRIETARY AND CONFIDENTIAL
 THE INFORMATION CONTAINED IN THIS DRAWING IS THE SOLE PROPERTY OF IMPINJ, INC. ANY REPRODUCTION IN PART OR AS A WHOLE WITHOUT THE WRITTEN PERMISSION OF IMPINJ, INC. IS PROHIBITED.

MATERIAL: SEE NOTES
 FINISH: SEE NOTES
 DO NOT SCALE DRAWING

	NAME	DATE
DRAWN		
CHECKED		
ENG APPR.		
MFG APPR.		
Q.A.		
COMMENTS:		

400 Fairview Ave N, Suite 1200
 Seattle, WA 98109
 206-517-5300
 WWW.IMPINJ.COM

IMPINJ

TITLE:
Weight 33g - SMT - RS2000

SIZE	DWG. NO.	REV
B	430-00054	1.00

SCALE: 2:1 WEIGHT: SHEET 1 OF 1